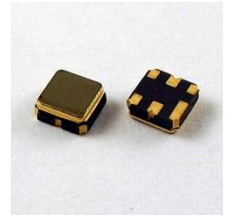


- Low-loss RF SAW filter for mobile systems
- Low amplitude ripple
- No matching network required for operation at 50Ω
- Ceramic package for Surface Mounted Technology (SMT)
- Lead-free production and RoHS compliant

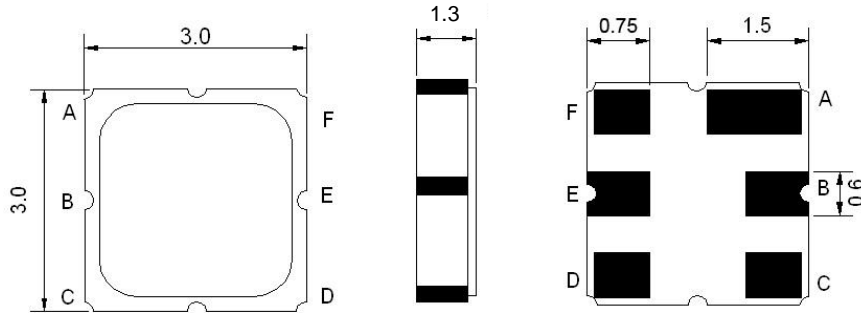


Electrical Characteristics

MAXIMUM RATING				
PARAMETERS DESCRIPTION	UNIT	MINIMUM	TYPICAL	MAXIMUM
Operating Temperature Range	°C	-40	-	+85
Storage Temperature Range	°C	-40	-	+85
Maximum DC Voltage	V _{DC}	-	-	0
Maximum Input Power Level	dBm	-	-	10
Source Impedance	Ω	-	50	-
Load Impedance	Ω	-	50	-
Length x Width	mm ²	-	3.0 x 3.0	-
Height	mm	-	-	1.3

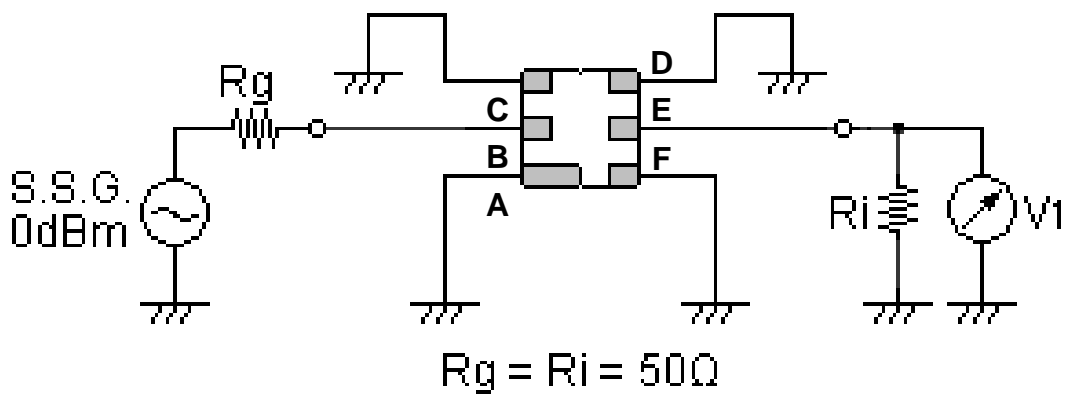
ELECTRICAL SPECIFICATION				
PARAMETERS DESCRIPTION	UNIT	MINIMUM	TYPICAL	MAXIMUM
Center Frequency (Fo)	MHz	-	1745	-
Insertion Loss @ 1735.00 ~ 1755.00MHz	dB		3.0	4.0
Usable Bandwidth	MHz		20	
Pass Band Ripple @ 1735.00 ~ 1755.00MHz	dB		1.0	1.5
Group Delay Ripple @ 1735.00 ~ 1755.00MHz	nS		15	40
Absolute Attenuation:				
DC~ 1545.00 MHz	dB	38	42	
1545.00 ~ 1675.00 MHz	dB	30	35	
1675.00 ~ 1715.00 MHz	dB	4	5	
1775.00 ~ 1805.00 MHz	dB	4	5	
1805.00 ~ 1880.00 MHz	dB	40	45	
1880.00 ~ 2025.00 MHz	dB	36	40	
2025.00 ~ 3000.00 MHz	dB	30	35	
Input / Output VSWR			1.9:1	2.2:1

Package Dimensions



Pin Description	
B	Input
E	Output
A, C, D, F	Ground

Testing Environment



Frequency Characteristics

Frequency Response

